

For use with TO-5 packages

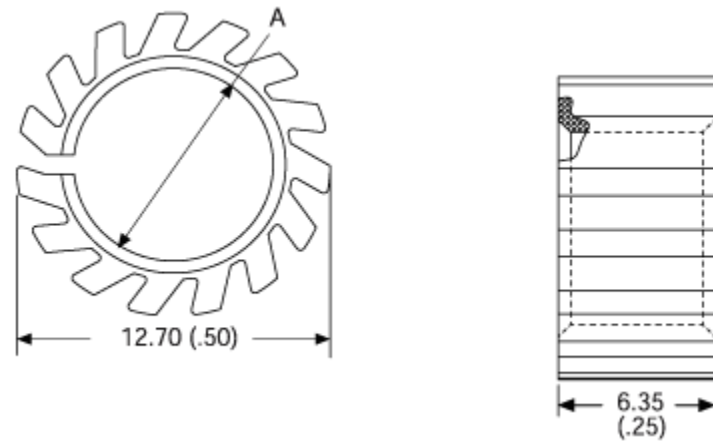
Part Number - 320205B00000G

RoHS  Compliant

Product Change Notice 

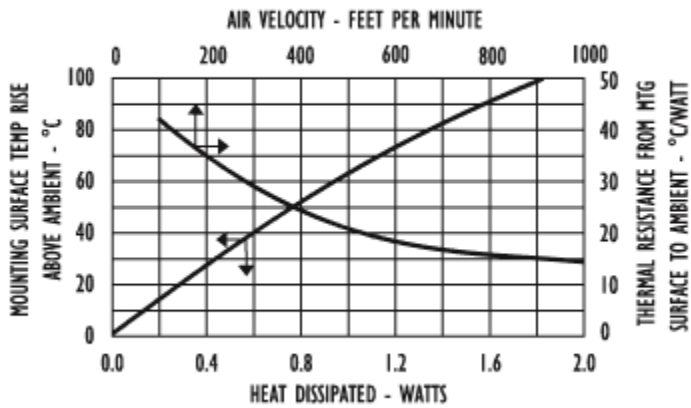


## Mechanical Outline Drawing



A Dim 7.75

## Thermal Curves



Thermal Resistance	63.00
--------------------	-------

Thermal resistance value is based on a 75°C rise in natural convection

# Product Information

Part #	Description	Finish	Board Mounting
320205B00000G	Extruded collar style heat sink with swept back fins	Black Anodize	N/A